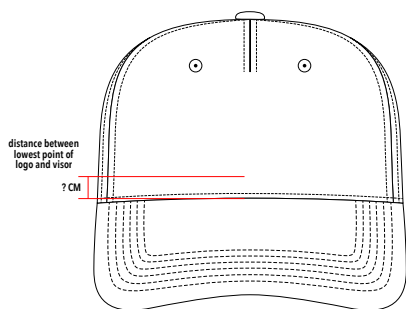




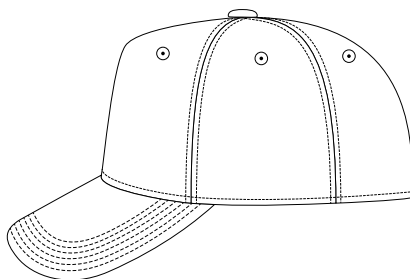
Trucker Cap (round peak)

Customer ID:

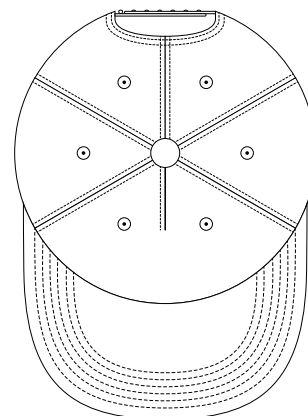
Item number:



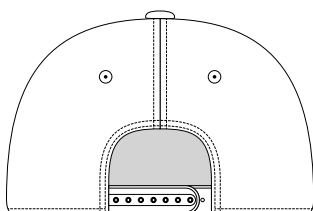
FRONTSIDE



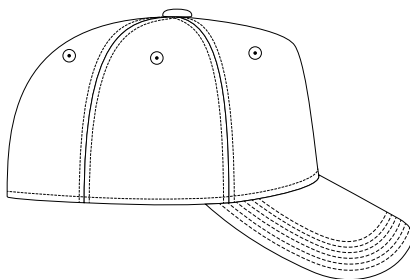
LEFT SIDE



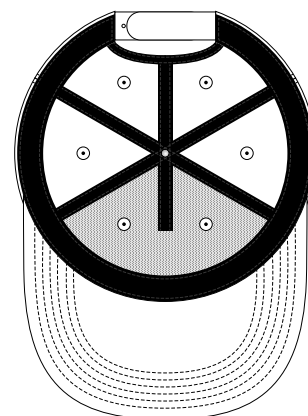
TOP SIDE & UPPER VISOR



BACKSIDE



RIGHT SIDE



INSIDE & UNDER VISOR

The graphically displayed colors and proportions may differ in reality, please refer to the written details.

Shape	Button	Upper Visor
Panel: 5	Fabric:	Fabric:
Structured with buckram	Color:	Color:
Size: 58 cm	Eyelets yes X no	Sewing lines: 6
Crown height: medium / round peak	Fabric: thread	Sewing color:
Visor: pre-curved	Color:	Under Visor
Each Panel (fabric & color)	Closure	Fabric:
Front:	Style: plastic snap	Color:
Left mid:	Color:	Sewing lines: 6
Right mid:		Sewing color:
Back left:	Sweatband	Sandwich Visor yes no X
Back right:	Fabric: cotton	Fabric:
	Color: black	Color:
All Panel	Taping	Interior Lining yes no X
Fabric:	Fabric: standard	Fabric:
Color:	Color: black	Color:

Taping	
Logo Color:	

Sandwich Visor	
Logo Color:	

Logos & labels = vector files / colors = Pantone C

<p>Front Side</p> <p>Style:</p> <p>Height:</p> <p>Width:</p> <p>Colors</p> <table border="1"> <tr><td> </td><td> </td></tr> <tr><td> </td><td> </td></tr> <tr><td> </td><td> </td></tr> <tr><td> </td><td> </td></tr> <tr><td> </td><td> </td></tr> <tr><td> </td><td> </td></tr> </table>														<p>Back Side</p> <p>Style:</p> <p>Height:</p> <p>Width:</p> <p>Colors</p> <table border="1"> <tr><td> </td><td> </td></tr> <tr><td> </td><td> </td></tr> <tr><td> </td><td> </td></tr> <tr><td> </td><td> </td></tr> <tr><td> </td><td> </td></tr> <tr><td> </td><td> </td></tr> </table>													
<p>Let Side</p> <p>Style:</p> <p>Height:</p> <p>Width:</p> <p>Colors</p> <table border="1"> <tr><td> </td><td> </td></tr> <tr><td> </td><td> </td></tr> <tr><td> </td><td> </td></tr> <tr><td> </td><td> </td></tr> <tr><td> </td><td> </td></tr> <tr><td> </td><td> </td></tr> </table>														<p>Right Side</p> <p>Style:</p> <p>Height:</p> <p>Width:</p> <p>Colors</p> <table border="1"> <tr><td> </td><td> </td></tr> <tr><td> </td><td> </td></tr> <tr><td> </td><td> </td></tr> <tr><td> </td><td> </td></tr> <tr><td> </td><td> </td></tr> <tr><td> </td><td> </td></tr> </table>													
<p>Upper Visor</p> <p>Style:</p> <p>Height:</p> <p>Width:</p> <p>Colors</p> <table border="1"> <tr><td> </td><td> </td></tr> <tr><td> </td><td> </td></tr> <tr><td> </td><td> </td></tr> <tr><td> </td><td> </td></tr> <tr><td> </td><td> </td></tr> <tr><td> </td><td> </td></tr> </table>														<p>Under Visor</p> <p>Style:</p> <p>Height:</p> <p>Width:</p> <p>Colors</p> <table border="1"> <tr><td> </td><td> </td></tr> <tr><td> </td><td> </td></tr> <tr><td> </td><td> </td></tr> <tr><td> </td><td> </td></tr> <tr><td> </td><td> </td></tr> <tr><td> </td><td> </td></tr> </table>													
<p>Fabric Label</p> <p>Style:</p> <p>Height:</p> <p>Width:</p> <p>Colors</p> <table border="1"> <tr><td> </td><td> </td></tr> <tr><td> </td><td> </td></tr> <tr><td> </td><td> </td></tr> <tr><td> </td><td> </td></tr> <tr><td> </td><td> </td></tr> <tr><td> </td><td> </td></tr> </table>														<p>Customer Label</p> <p>Style:</p> <p>Height:</p> <p>Width:</p> <p>Colors</p> <table border="1"> <tr><td> </td><td> </td></tr> <tr><td> </td><td> </td></tr> <tr><td> </td><td> </td></tr> <tr><td> </td><td> </td></tr> <tr><td> </td><td> </td></tr> <tr><td> </td><td> </td></tr> </table>													
<p>Label</p> <p>Style:</p> <p>Height:</p> <p>Width:</p> <p>Colors</p> <table border="1"> <tr><td> </td><td> </td></tr> <tr><td> </td><td> </td></tr> <tr><td> </td><td> </td></tr> <tr><td> </td><td> </td></tr> <tr><td> </td><td> </td></tr> <tr><td> </td><td> </td></tr> </table>														<p>Label</p> <p>Style:</p> <p>Height:</p> <p>Width:</p> <p>Colors</p> <table border="1"> <tr><td> </td><td> </td></tr> <tr><td> </td><td> </td></tr> <tr><td> </td><td> </td></tr> <tr><td> </td><td> </td></tr> <tr><td> </td><td> </td></tr> <tr><td> </td><td> </td></tr> </table>													
<p>Label</p> <p>Style:</p> <p>Height:</p> <p>Width:</p> <p>Colors</p> <table border="1"> <tr><td> </td><td> </td></tr> <tr><td> </td><td> </td></tr> <tr><td> </td><td> </td></tr> <tr><td> </td><td> </td></tr> <tr><td> </td><td> </td></tr> <tr><td> </td><td> </td></tr> </table>														<p>Label</p> <p>Style:</p> <p>Height:</p> <p>Width:</p> <p>Colors</p> <table border="1"> <tr><td> </td><td> </td></tr> <tr><td> </td><td> </td></tr> <tr><td> </td><td> </td></tr> <tr><td> </td><td> </td></tr> <tr><td> </td><td> </td></tr> <tr><td> </td><td> </td></tr> </table>													

