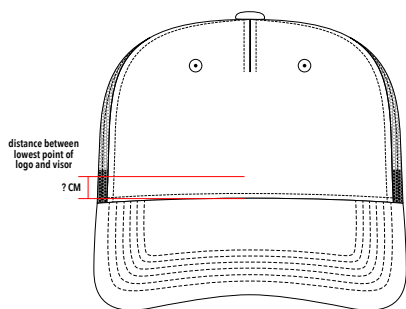




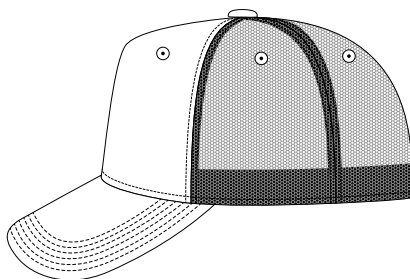
# Mesh Trucker Cap (round peak)

Customer ID:

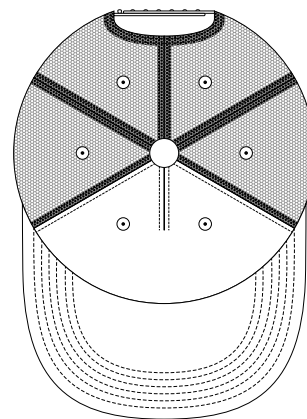
Item number:



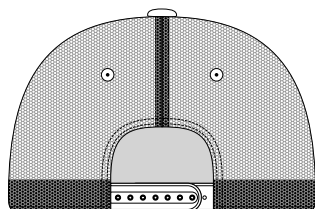
FRONTSIDE



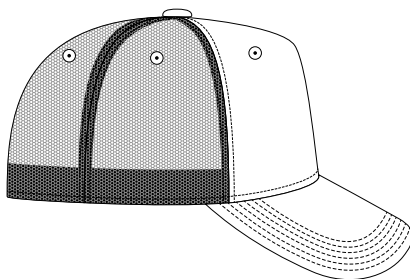
LEFT SIDE



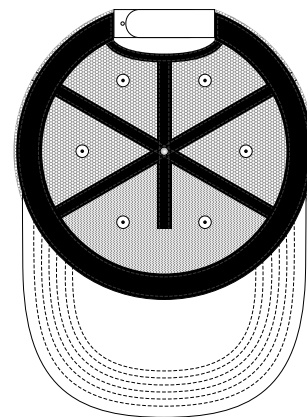
TOP SIDE & UPPER VISOR



BACKSIDE



RIGHT SIDE



INSIDE & UNDER VISOR

The graphically displayed colors and proportions may differ in reality, please refer to the written details.

Shape	Button	Upper Visor
Panel: 5	Fabric:	Fabric:
Structured with buckram	Color:	Color:
Size: 58 cm	<b>Eyelets</b> yes   X   no	Sewing lines: 6
Crown height: medium standard / round peak	Fabric: thread	Sewing color:
Visor: pre-curved	Color:	<b>Under Visor</b>
<b>Each Panel (fabric &amp; color)</b>	<b>Closure</b>	Fabric:
Front:	Style: plastic snap	Color:
Left mid:	Color:	Sewing lines: 6
Right mid:		Sewing color:
Back left:	<b>Sweatband</b>	<b>Sandwich Visor</b> yes        no   X
Back right:	Fabric: cotton	Fabric:
	Color:	Color:
<b>All Mesh Panel</b>	<b>Taping</b>	<b>Interior Lining</b> yes        no   X
Fabric: trucker mesh	Fabric: standard	Fabric:
Color:	Color:	Color:

Taping	
Logo Color:	

Sandwich Visor	
Logo Color:	

Logos & labels = vector files / colors = Pantone C or TCX

<p><b>Front Side</b></p> <p>Style:</p> <p>Height:</p> <p>Width:</p> <p>Colors</p> <table border="1"> <tr><td> </td><td> </td></tr> <tr><td> </td><td> </td></tr> <tr><td> </td><td> </td></tr> <tr><td> </td><td> </td></tr> <tr><td> </td><td> </td></tr> <tr><td> </td><td> </td></tr> </table>														<p><b>Back Side</b></p> <p>Style:</p> <p>Height:</p> <p>Width:</p> <p>Colors</p> <table border="1"> <tr><td> </td><td> </td></tr> <tr><td> </td><td> </td></tr> <tr><td> </td><td> </td></tr> <tr><td> </td><td> </td></tr> <tr><td> </td><td> </td></tr> <tr><td> </td><td> </td></tr> </table>													
<p><b>Let Side</b></p> <p>Style:</p> <p>Height:</p> <p>Width:</p> <p>Colors</p> <table border="1"> <tr><td> </td><td> </td></tr> <tr><td> </td><td> </td></tr> <tr><td> </td><td> </td></tr> <tr><td> </td><td> </td></tr> <tr><td> </td><td> </td></tr> <tr><td> </td><td> </td></tr> </table>														<p><b>Right Side</b></p> <p>Style:</p> <p>Height:</p> <p>Width:</p> <p>Colors</p> <table border="1"> <tr><td> </td><td> </td></tr> <tr><td> </td><td> </td></tr> <tr><td> </td><td> </td></tr> <tr><td> </td><td> </td></tr> <tr><td> </td><td> </td></tr> <tr><td> </td><td> </td></tr> </table>													
<p><b>Upper Visor</b></p> <p>Style:</p> <p>Height:</p> <p>Width:</p> <p>Colors</p> <table border="1"> <tr><td> </td><td> </td></tr> <tr><td> </td><td> </td></tr> <tr><td> </td><td> </td></tr> <tr><td> </td><td> </td></tr> <tr><td> </td><td> </td></tr> <tr><td> </td><td> </td></tr> </table>														<p><b>Under Visor</b></p> <p>Style:</p> <p>Height:</p> <p>Width:</p> <p>Colors</p> <table border="1"> <tr><td> </td><td> </td></tr> <tr><td> </td><td> </td></tr> <tr><td> </td><td> </td></tr> <tr><td> </td><td> </td></tr> <tr><td> </td><td> </td></tr> <tr><td> </td><td> </td></tr> </table>													
<p><b>Fabric Label</b></p> <p>Style:</p> <p>Height:</p> <p>Width:</p> <p>Colors</p> <table border="1"> <tr><td> </td><td> </td></tr> <tr><td> </td><td> </td></tr> <tr><td> </td><td> </td></tr> <tr><td> </td><td> </td></tr> <tr><td> </td><td> </td></tr> <tr><td> </td><td> </td></tr> </table>														<p><b>Customer Label</b></p> <p>Style:</p> <p>Height:</p> <p>Width:</p> <p>Colors</p> <table border="1"> <tr><td> </td><td> </td></tr> <tr><td> </td><td> </td></tr> <tr><td> </td><td> </td></tr> <tr><td> </td><td> </td></tr> <tr><td> </td><td> </td></tr> <tr><td> </td><td> </td></tr> </table>													
<p><b>Label</b></p> <p>Style:</p> <p>Height:</p> <p>Width:</p> <p>Colors</p> <table border="1"> <tr><td> </td><td> </td></tr> <tr><td> </td><td> </td></tr> <tr><td> </td><td> </td></tr> <tr><td> </td><td> </td></tr> <tr><td> </td><td> </td></tr> <tr><td> </td><td> </td></tr> </table>														<p><b>Label</b></p> <p>Style:</p> <p>Height:</p> <p>Width:</p> <p>Colors</p> <table border="1"> <tr><td> </td><td> </td></tr> <tr><td> </td><td> </td></tr> <tr><td> </td><td> </td></tr> <tr><td> </td><td> </td></tr> <tr><td> </td><td> </td></tr> <tr><td> </td><td> </td></tr> </table>													
<p><b>Label</b></p> <p>Style:</p> <p>Height:</p> <p>Width:</p> <p>Colors</p> <table border="1"> <tr><td> </td><td> </td></tr> <tr><td> </td><td> </td></tr> <tr><td> </td><td> </td></tr> <tr><td> </td><td> </td></tr> <tr><td> </td><td> </td></tr> <tr><td> </td><td> </td></tr> </table>														<p><b>Label</b></p> <p>Style:</p> <p>Height:</p> <p>Width:</p> <p>Colors</p> <table border="1"> <tr><td> </td><td> </td></tr> <tr><td> </td><td> </td></tr> <tr><td> </td><td> </td></tr> <tr><td> </td><td> </td></tr> <tr><td> </td><td> </td></tr> <tr><td> </td><td> </td></tr> </table>													

