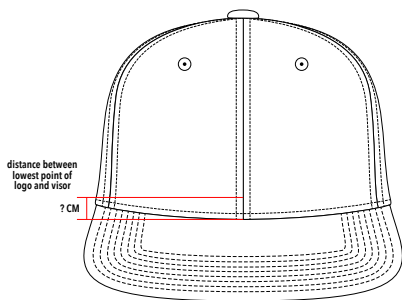




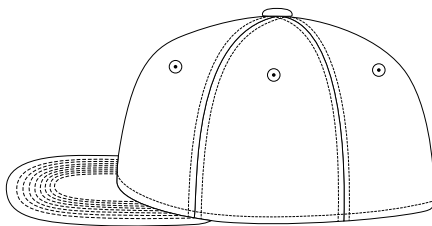
Fitted Cap / round flat visor

Customer ID:

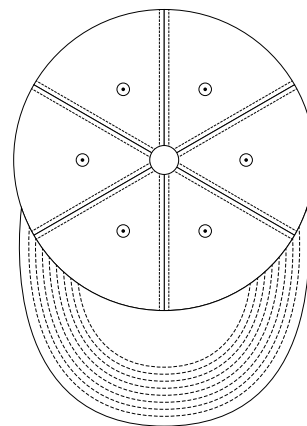
Item number:



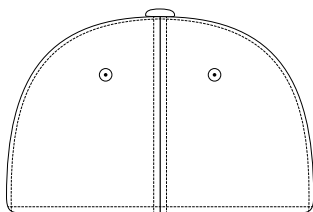
FRONTSIDE



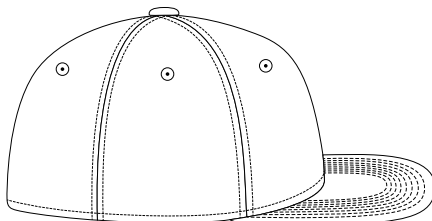
LEFT SIDE



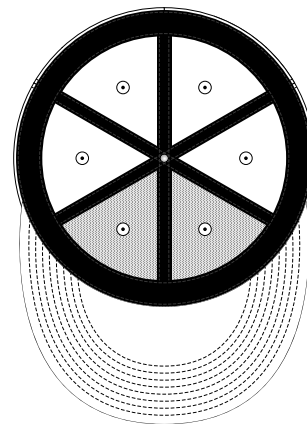
TOP SIDE & UPPER VISOR



BACKSIDE



RIGHT SIDE



INSIDE & UNDER VISOR

The graphically displayed colors and proportions may differ in reality, please refer to the written details.

Shape	Button	Upper Visor
Panel: 6	Fabric:	Fabric:
Structured with buckram	Color:	Color:
Size: 58 cm	Eyelets yes X no <input type="checkbox"/>	Sewing lines: 8
Crown height: medium (standard)	Fabric: thread	Sewing color:
Visor: round flat / width: 19cm	Color:	Under Visor
Each Panel (fabric & color)	Sweatband	Fabric:
Front left:	Fabric: cotton	Color:
Front right:	Color: black	Sewing lines: 8
Left mid:	Taping	Sewing color:
Right mid:	Fabric: standard	Sandwich Visor yes <input type="checkbox"/> no X <input type="checkbox"/>
Back left:	Color: black	Fabric:
Back right:		Color:
All Panel		Interior Lining yes <input type="checkbox"/> no X <input type="checkbox"/>
Fabric:		Fabric:
Color:		Color:

Taping	
Logo Color:	

Sandwich Visor	
Logo Color:	

Logos & labels = vector files / colors = Pantone C or TCX

<p>Front Side</p> <p>Style:</p> <p>Height:</p> <p>Width:</p> <p>Colors</p> <table border="1"> <tr><td> </td><td> </td></tr> <tr><td> </td><td> </td></tr> <tr><td> </td><td> </td></tr> <tr><td> </td><td> </td></tr> <tr><td> </td><td> </td></tr> <tr><td> </td><td> </td></tr> </table>														<p>Back Side</p> <p>Style:</p> <p>Height:</p> <p>Width:</p> <p>Colors</p> <table border="1"> <tr><td> </td><td> </td></tr> <tr><td> </td><td> </td></tr> <tr><td> </td><td> </td></tr> <tr><td> </td><td> </td></tr> <tr><td> </td><td> </td></tr> <tr><td> </td><td> </td></tr> </table>													
<p>Let Side</p> <p>Style:</p> <p>Height:</p> <p>Width:</p> <p>Colors</p> <table border="1"> <tr><td> </td><td> </td></tr> <tr><td> </td><td> </td></tr> <tr><td> </td><td> </td></tr> <tr><td> </td><td> </td></tr> <tr><td> </td><td> </td></tr> <tr><td> </td><td> </td></tr> </table>														<p>Right Side</p> <p>Style:</p> <p>Height:</p> <p>Width:</p> <p>Colors</p> <table border="1"> <tr><td> </td><td> </td></tr> <tr><td> </td><td> </td></tr> <tr><td> </td><td> </td></tr> <tr><td> </td><td> </td></tr> <tr><td> </td><td> </td></tr> <tr><td> </td><td> </td></tr> </table>													
<p>Upper Visor</p> <p>Style:</p> <p>Height:</p> <p>Width:</p> <p>Colors</p> <table border="1"> <tr><td> </td><td> </td></tr> <tr><td> </td><td> </td></tr> <tr><td> </td><td> </td></tr> <tr><td> </td><td> </td></tr> <tr><td> </td><td> </td></tr> <tr><td> </td><td> </td></tr> </table>														<p>Under Visor</p> <p>Style:</p> <p>Height:</p> <p>Width:</p> <p>Colors</p> <table border="1"> <tr><td> </td><td> </td></tr> <tr><td> </td><td> </td></tr> <tr><td> </td><td> </td></tr> <tr><td> </td><td> </td></tr> <tr><td> </td><td> </td></tr> <tr><td> </td><td> </td></tr> </table>													
<p>Fabric Label</p> <p>Style:</p> <p>Height:</p> <p>Width:</p> <p>Colors</p> <table border="1"> <tr><td> </td><td> </td></tr> <tr><td> </td><td> </td></tr> <tr><td> </td><td> </td></tr> <tr><td> </td><td> </td></tr> <tr><td> </td><td> </td></tr> <tr><td> </td><td> </td></tr> </table>														<p>Customer Label</p> <p>Style:</p> <p>Height:</p> <p>Width:</p> <p>Colors</p> <table border="1"> <tr><td> </td><td> </td></tr> <tr><td> </td><td> </td></tr> <tr><td> </td><td> </td></tr> <tr><td> </td><td> </td></tr> <tr><td> </td><td> </td></tr> <tr><td> </td><td> </td></tr> </table>													
<p>Size Label</p> <p>Style:</p> <p>Height:</p> <p>Width:</p> <p>Colors</p> <table border="1"> <tr><td> </td><td> </td></tr> <tr><td> </td><td> </td></tr> <tr><td> </td><td> </td></tr> <tr><td> </td><td> </td></tr> <tr><td> </td><td> </td></tr> <tr><td> </td><td> </td></tr> </table>														<p>Label</p> <p>Style:</p> <p>Height:</p> <p>Width:</p> <p>Colors</p> <table border="1"> <tr><td> </td><td> </td></tr> <tr><td> </td><td> </td></tr> <tr><td> </td><td> </td></tr> <tr><td> </td><td> </td></tr> <tr><td> </td><td> </td></tr> <tr><td> </td><td> </td></tr> </table>													
<p>Label</p> <p>Style:</p> <p>Height:</p> <p>Width:</p> <p>Colors</p> <table border="1"> <tr><td> </td><td> </td></tr> <tr><td> </td><td> </td></tr> <tr><td> </td><td> </td></tr> <tr><td> </td><td> </td></tr> <tr><td> </td><td> </td></tr> <tr><td> </td><td> </td></tr> </table>														<p>Label</p> <p>Style:</p> <p>Height:</p> <p>Width:</p> <p>Colors</p> <table border="1"> <tr><td> </td><td> </td></tr> <tr><td> </td><td> </td></tr> <tr><td> </td><td> </td></tr> <tr><td> </td><td> </td></tr> <tr><td> </td><td> </td></tr> <tr><td> </td><td> </td></tr> </table>													

